

RotoBolt

EM20•50 DIA - Technical Manual



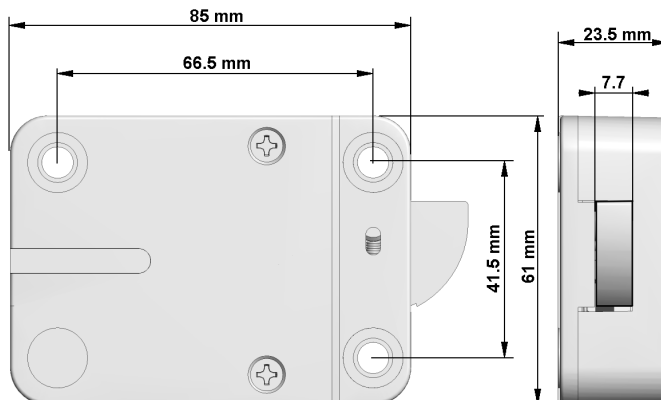
CHARACTERISTICS

The RotoBolt lock can be mounted in all four mounting directions. Further, by flipping the lock, both blocking directions can be realized. The mounting dimensions are standard. The DIA Electronics feature a Main code that can be changed by the user. With the main code up to 9 secondary codes can be activated and deleted. Dual mode, time delay and Dallas key identification are available optional functions. If a valid code has been entered, the lock electronic removes the blocking for 3 seconds and the boltwork can be moved into OPEN position by pushing the bolt inside the lock case. When moving the boltwork into LOCKED position the RotoBolt automatically secures.

ENTRY UNITS

RotoBolt DIA is compatible with the following NL LOCK Entry units (separate technical descriptions for Entry units are available). Entry unit cable hole on the safe door does not have to exceed 11 mm diameter

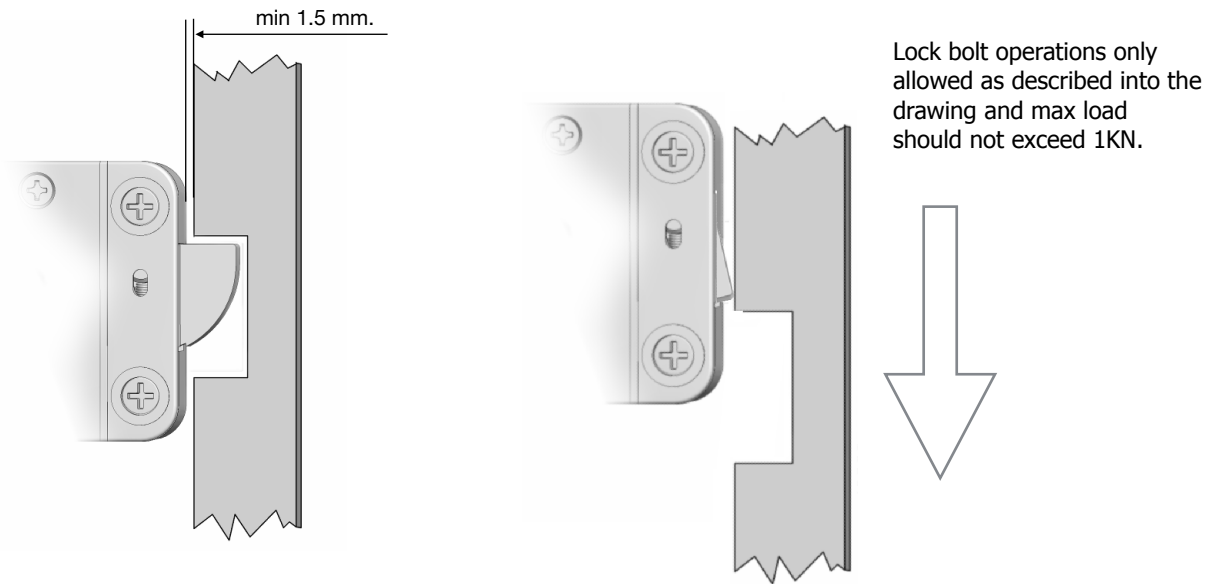
QuickTouch: QT20-xx	Premier: PI20-xx	Premier: PI30-xx



Important:

- Modifications to the lock (including lock bolt attachments) are not allowed, and will void the manufacturer's warranty and Standards approvals.
- Lock body area should be protected against destructive attacks

BOLTWORK REQUIREMENTS and MOUNTING INSTRUCTION



If the RotoBolt lock is used in conjunction with another lock, the boltwork must be constructed in a way that the RotoBolt secures first.

In the LOCKED position the distance between the RotoBolt bolt and the boltwork part that is moving the lock bolt should be minimum 1,5 mm.

Only use NL LOCK supplied screws (M6) to mount the lock. Lock has to be mounted on secure storage metal (preferred steel) units only. Tighten the screws securely so the lock body is attached firmly to the mounting surface. Use of screw locking glue (i.e. Loctite) is recommended.

Security relevant parts of a HSL should not be accessible to unauthorized persons when the door of the secure storage unit to which it is fitted is open

Test Electronics

Like all locks from NL LOCK this unit includes a unique feature to functionally test the electronics:

Function #5

STEP	TASK	REMARK
1	Press and hold [5] until a double signal sounds and the light stays ON.	
2	Enter the all keys in exactly this sequence: [1]-[2]-[3]-[4]-[5]-[6]-[7]-[8]-[9]-[0]	Push buttons slowly so you recognize the signaling of the lock. A double signal indicates that the keypad and the lock communicate and perform properly. A long signal indicates that the electronics may be damaged.

Functional Test

- Enter code (i.e. 1-2-3-4-5-6). The lock emits a double signal for the correct code.
- Turn boltwork handle towards OPEN position.
The bolt rotates into the housing. Bolt must move freely.
- Turn handle towards Locked position.
The lock bolt must fully extend and secure.
- Make sure there is an air space on all sides of the lock bolt when the safe's boltwork is fully thrown into locked position.

IMPORTANT: Perform the functional test several times before locking the safe door.